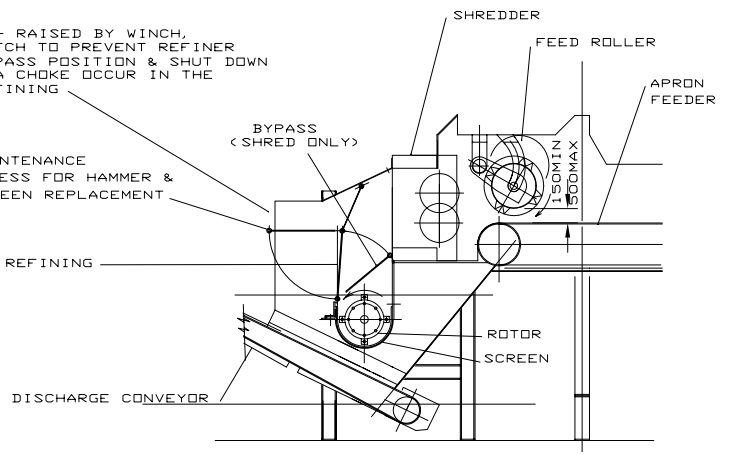
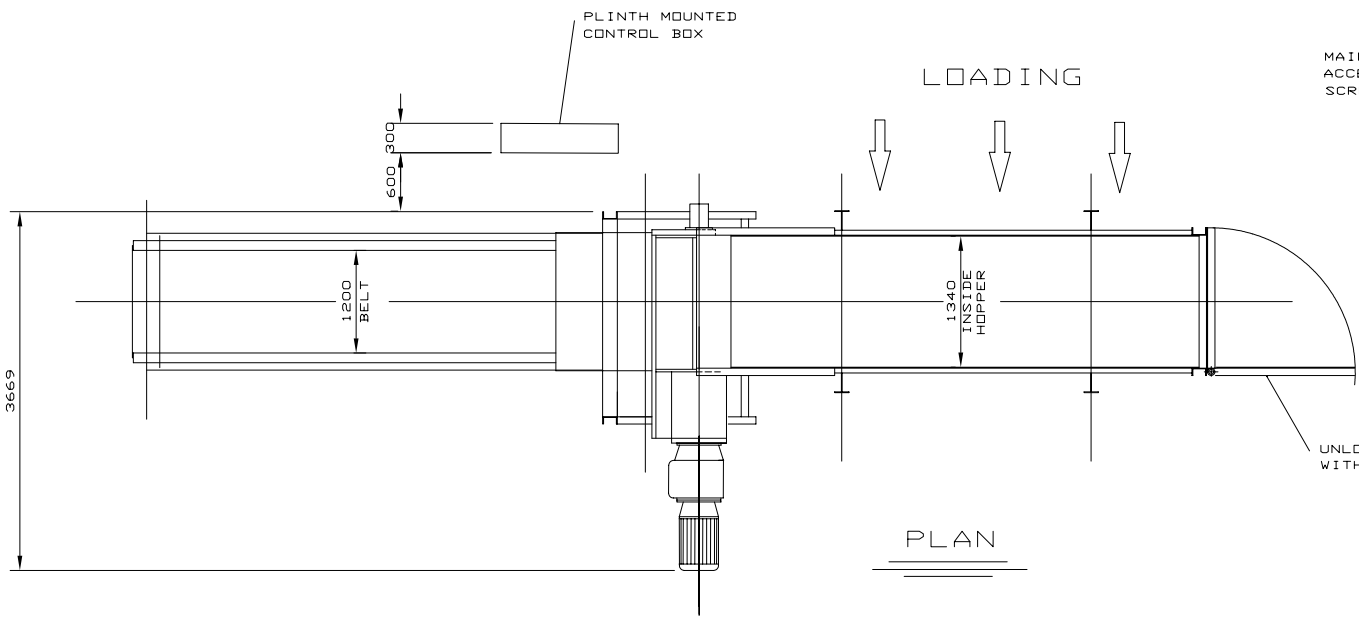
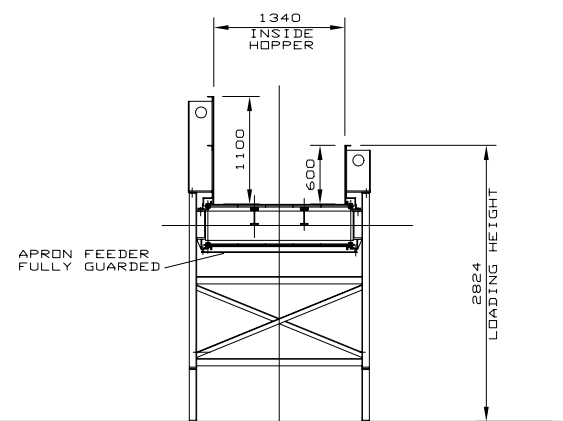
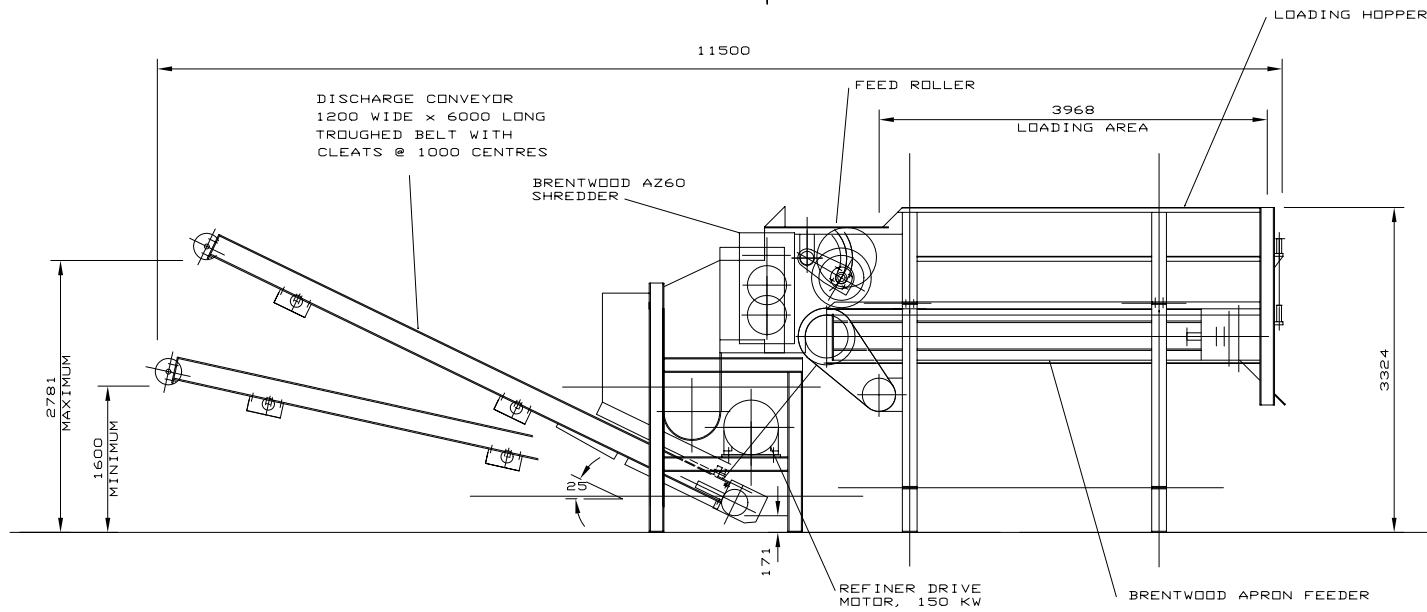


DIVERTER PLATE - RAISED BY WINCH,
 WITH SAFETY SWITCH TO PREVENT REFINER
 OPERATION IN BYPASS POSITION & SHUT DOWN
 MACHINE SHOULD A CHOKO OCCUR IN THE
 CHAMBER WHEN REFINING



SECTION THROUGH SHREDDER & FEED ROLLER



SECTION THROUGH LOADING HOPPER

ELEVATION

BRENTWOOD ENG P/L		DATE	20/10/97
238 BERKELEY RD. UNANDERRA 2526 AUSTRALIA		SCALE	
PHONE (042) 717511 FAX (042) 729339		DRAWN	H. J.
SHREDDERMILL		DRAWING NO.	4617
MODEL SM-240/60			