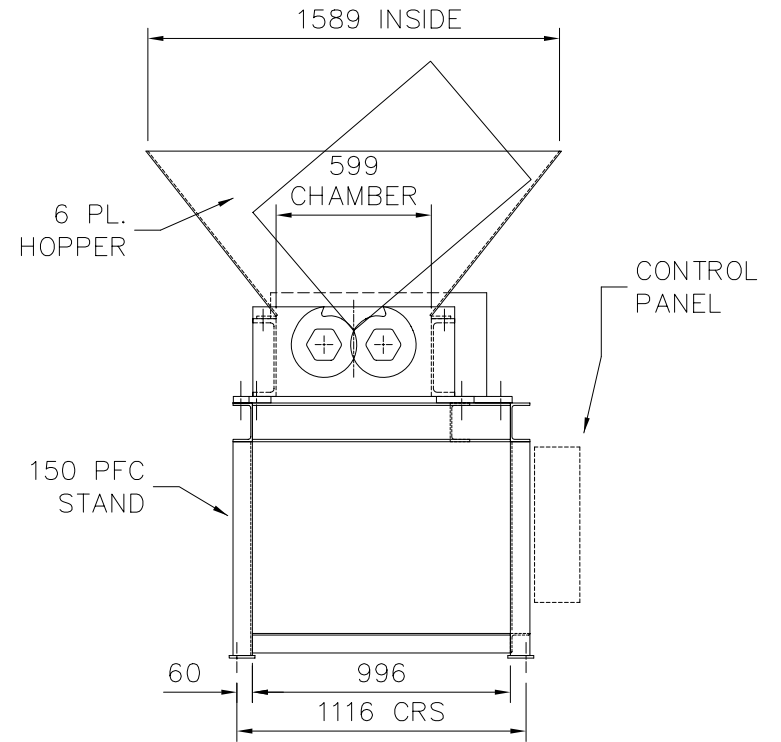
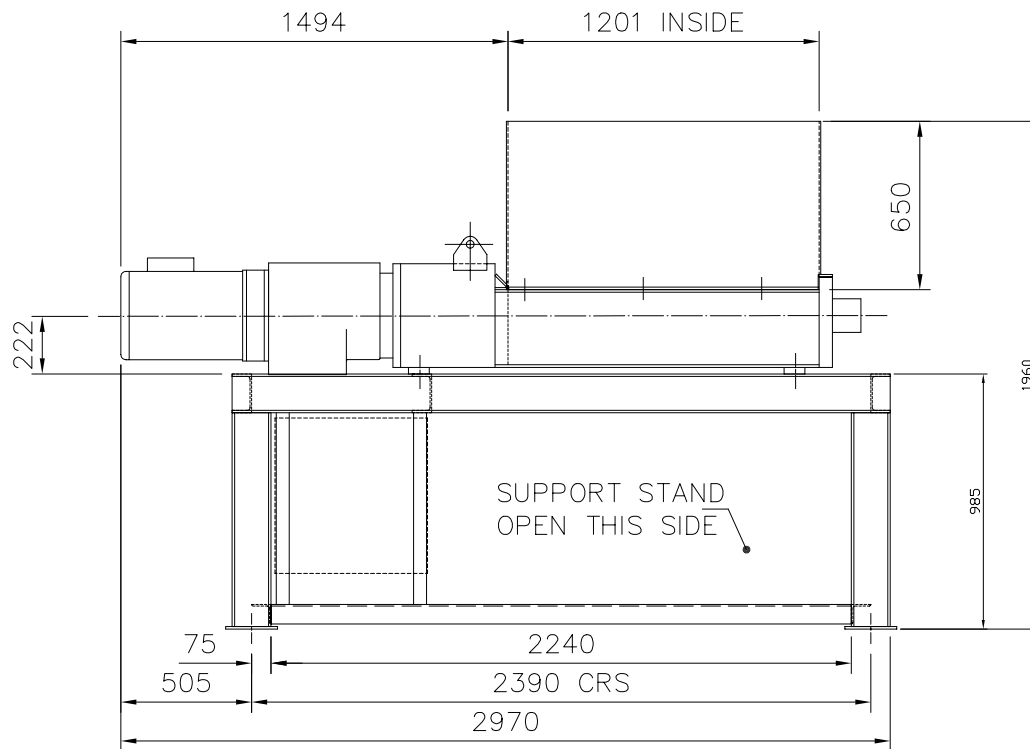
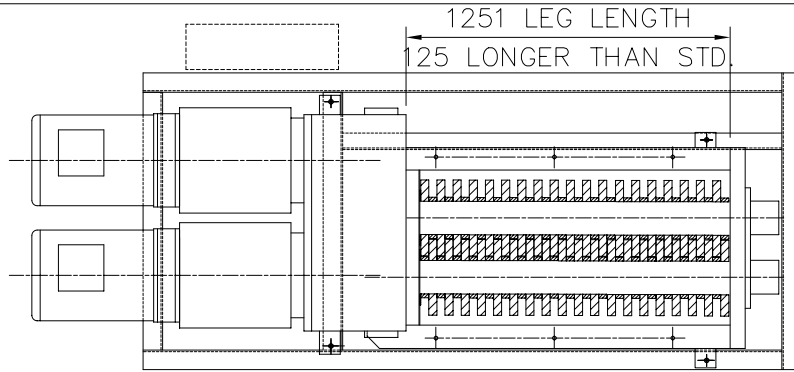


A3



(WAS DRG 5359)

INDUSTRIAL SHREDDING MACHINES - RECYCLING MACHINERY
ASSOCIATED PROJECT ENGINEERING

BRENTWOOD RECYCLING SYSTEMS IS A DIVISION
OF BRENTWOOD ENGINEERING PTY. LTD. A.C.N. 001 309 548

BRENTWOOD PROPRIETARY - ALL RIGHTS RESERVED
PROPERTY OF BRENTWOOD ENGINEERING PTY LTD

BRENTWOOD RECYCLING SYSTEMS

238 BERKELEY RD. UNANDERRA 2526 AUSTRALIA
PHONE (042) 717511 FAX (042) 729339

AZ50-HD SHREDDER (STD+125)
SHREDDER, HOPPER & STAND
ARRANGEMENT

DATE 4/4/01

SCALE 1:20

DRAWN/LOCATION
GB 18

DRAWING NO.

5408