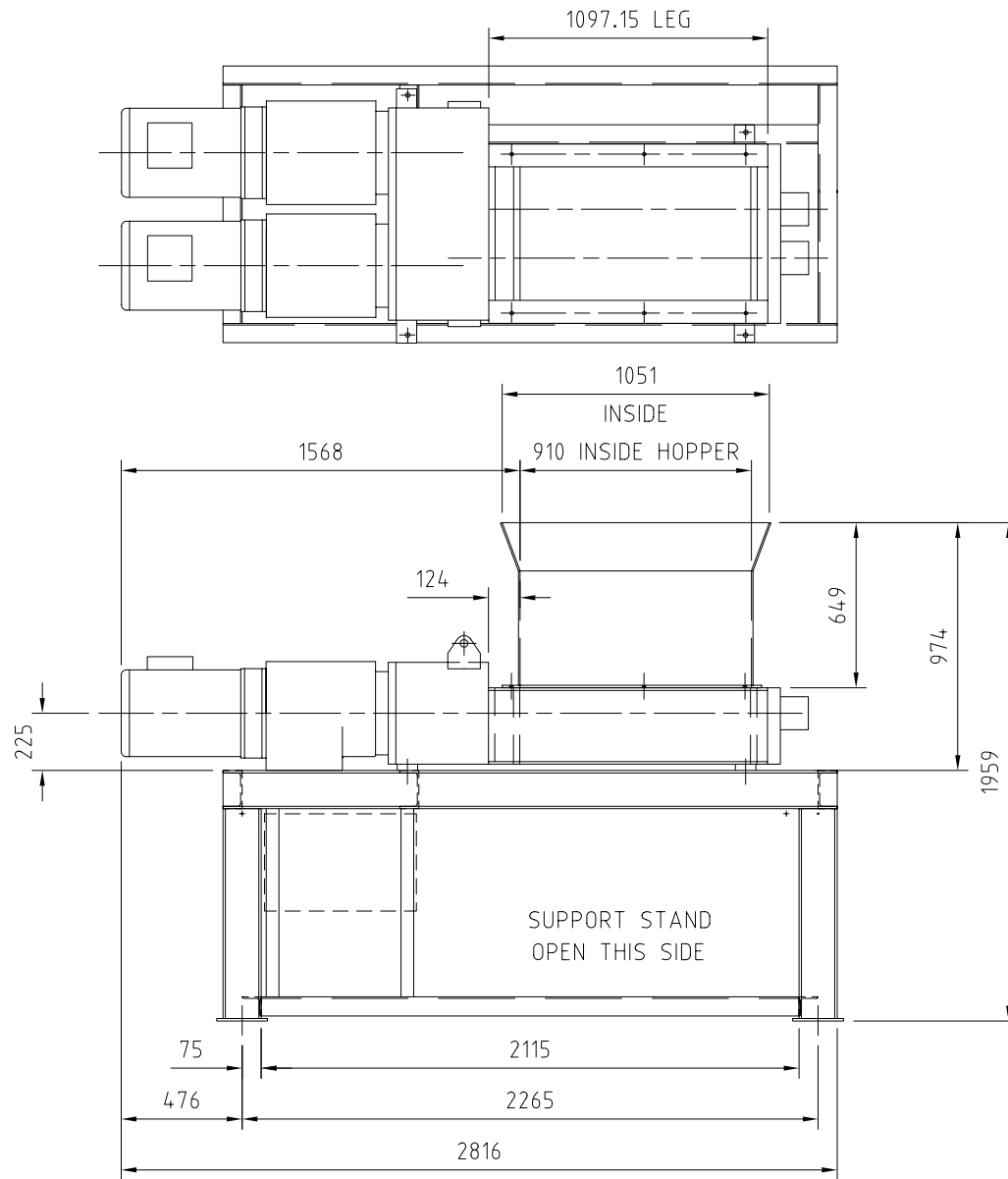
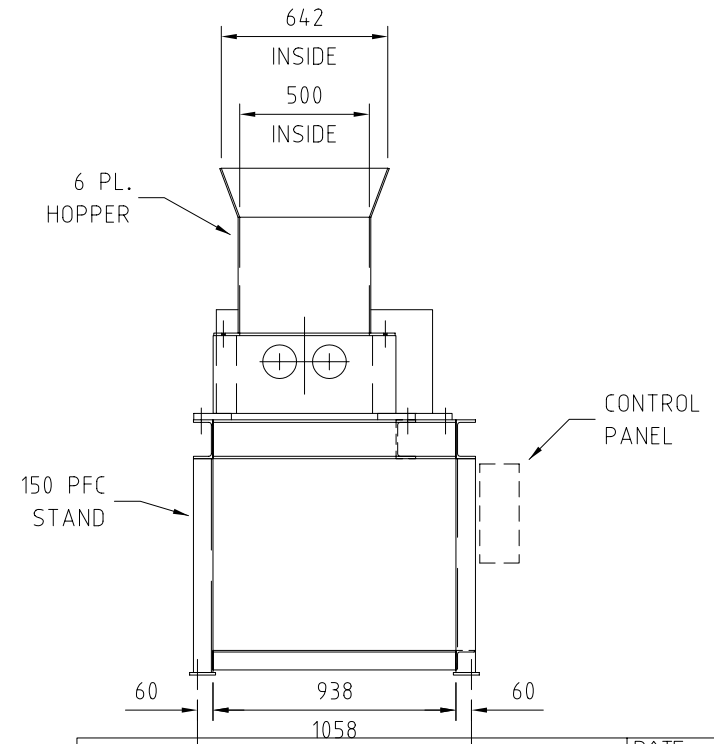



A3



AZ40-2 SHREDDER STD.
31 mm CUTTERS



	DATE	
	SCALE	27/11/06
	DRAWN	1:20
	LOCATION	GB 18
AZ40-2 SHREDDER STD LGTH SHREDDER, MEAT HOPPER & STAND GENERAL ARRANGEMENT		DRAWING NO.
		6446

REV	DRN	DATE	COMMENT
INDUSTRIAL SHREDDING MACHINES - RECYCLING MACHINERY - ASSOCIATED PROJECT ENGINEERING			

BRENTWOOD RECYCLING SYSTEMS IS A DIVISION OF BRENTWOOD ENGINEERING PTY. LTD.
 A.B.N. 98 001 309 548 PHONE 61 2 42717511 FAX 61 2 42729339
 238 BERKELEY RD, UNANDERRA 2526 AUSTRALIA

PROPERTY OF BRENTWOOD ENGINEERING PTY LTD
 BRENTWOOD PROPRIETARY - ALL RIGHTS RESERVED