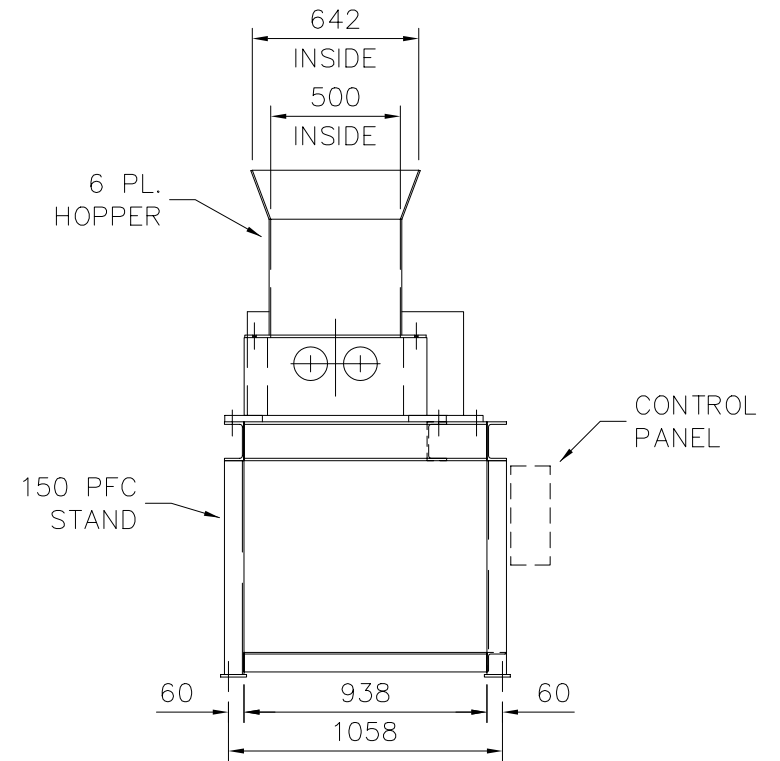
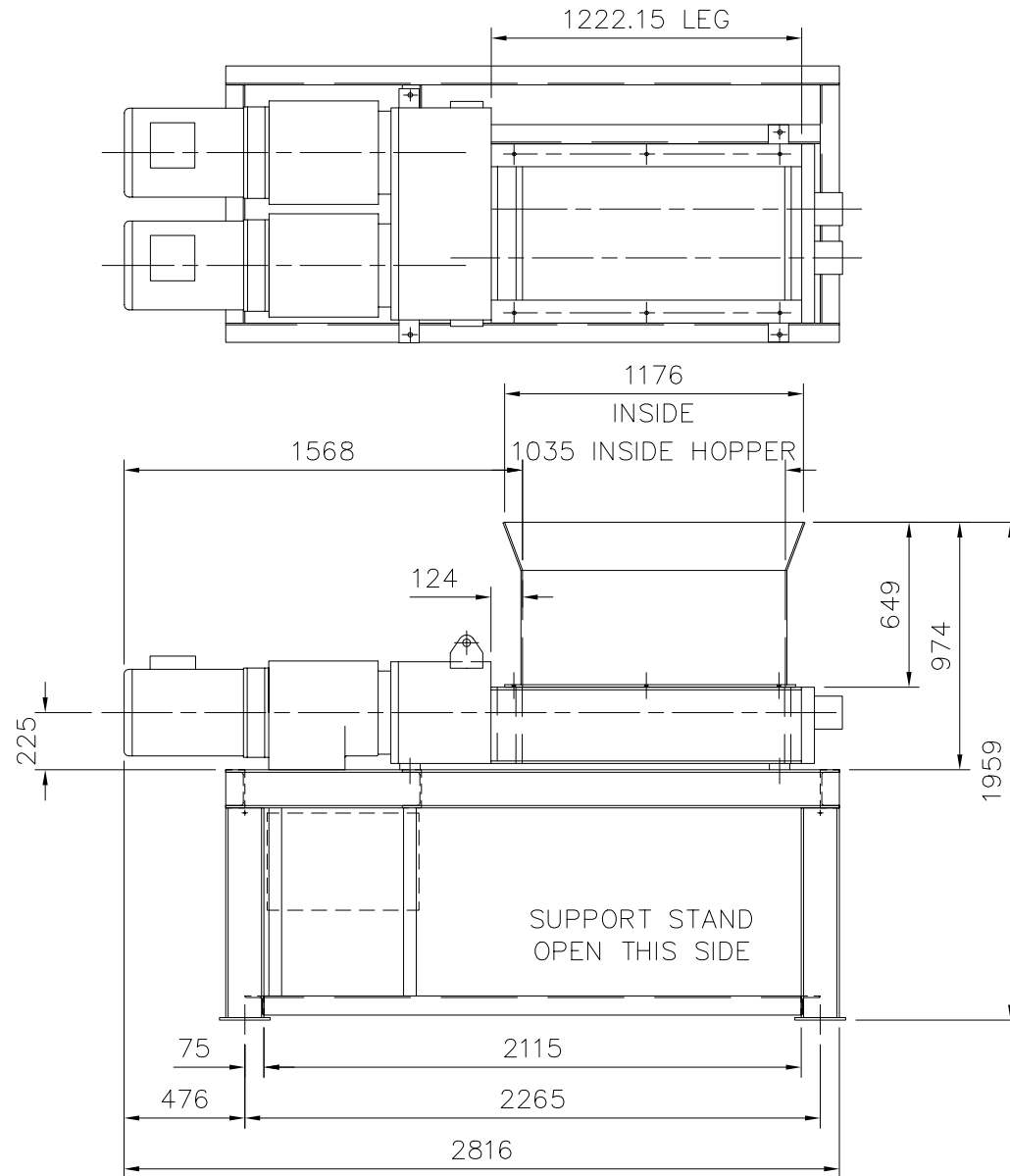


A3



AZ40-2 SHREDDER 125 LONGER THAN STD.  
31 mm CUTTERS

**BRENTWOOD ENG P/L**

238 BERKELEY RD. UNANDERRA 2526 AUSTRALIA  
PHONE (042) 717511 FAX (042) 729339

DATE 3/3/99

SCALE 1:20

DRAWN LOCATION  
F.S. 18

DRAWING NO.

AZ40-2 SHREDDER  
SHREDDER, HOPPER & STAND  
GENERAL ARRANGEMENT

5006