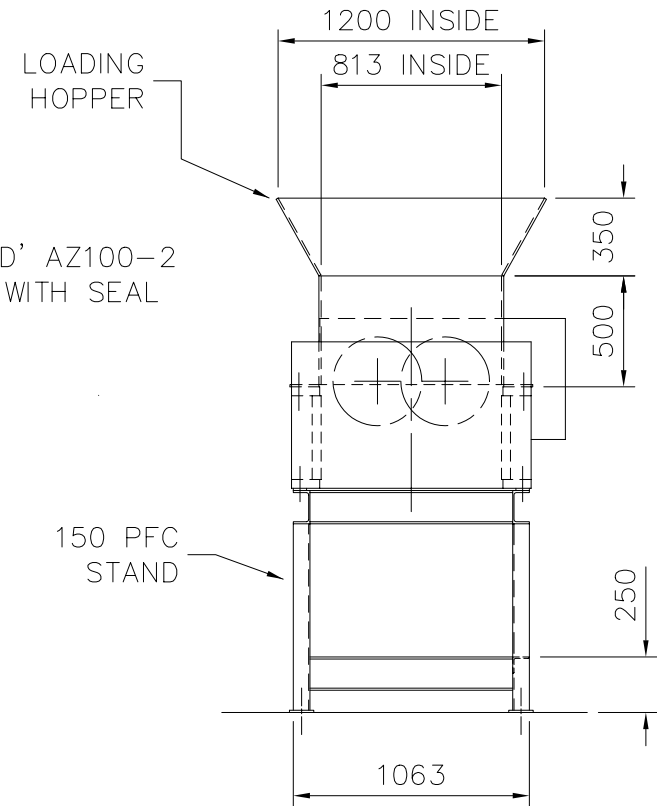


'BRENTWOOD' AZ100-2  
SHREDDER WITH SEAL  
PLATES



**BRENTWOOD ENG P/L**

238 BERKELEY RD. UNANDERRA 2526 AUSTRALIA  
PHONE (042) 717511 FAX (042) 729339

AZ100-2 SHREDDER  
SHREDDER, HOPPER & STAND  
ARRANGEMENT

DATE 10/4/97

SCALE 1:25

DRAWN LOCATION  
F.S. 18

DRAWING NO.

4441