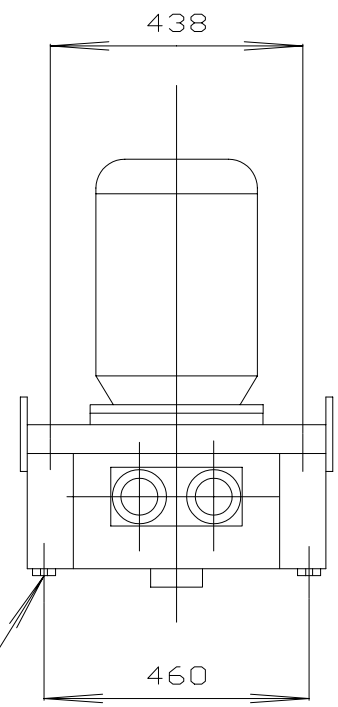


DRILL & TAP M8  
6 HOLES



DRILL & TAP M12  
4 HOLES

<b>BRENTWOOD ENG P/L</b>		DATE 28-6-93
238 BERKELEY RD. UNANDERRA 2526 AUSTRALIA PHONE (042) 717511 FAX (042) 729339		SCALE
AZ7 SHREDDER GENERAL ARR'G' T		DRAWN H. J.
		DRAWING NO. 1462 A